

Model ACL20446L

**Model ACL20446L/R**

**Length:** 59 7/8" (1521mm)  
**Width:** 34" (864mm)  
**Height:** 22 5/8" (575mm)

**Shipping Weight:** 105 lbs. (47.6 Kg)  
**Water to Overflow:** 40 gallons (185 Litres)  
**Minimum Water Capacity:** 32 gallons (145 Litres)

**Materials:** Manufactured from a one-piece acrylic sheet, reinforced with fibreglass.

Our Langley™ Whirlpool/Bath Series is a popular choice for most housing needs.

**Standard Features:**

- Easy to clean high gloss surface
- Chip and mar resistant
- Moulded-in floor pattern
- Lumbar support backrest
- Contoured integral armrests
- Integral tiling flange
- Extended apron for above floor rough-in

**Colours:**

- Standard: White, Almond (Bone) or Biscuit
- Optional: Kohler Colours

**Other Configurations:**

- Without apron (XL/XR)

All products manufactured by Hytec are covered by a comprehensive five-year limited warranty from the date of sale to the original owner. See the Hytec Bathing Fixtures List Price Book for further details.

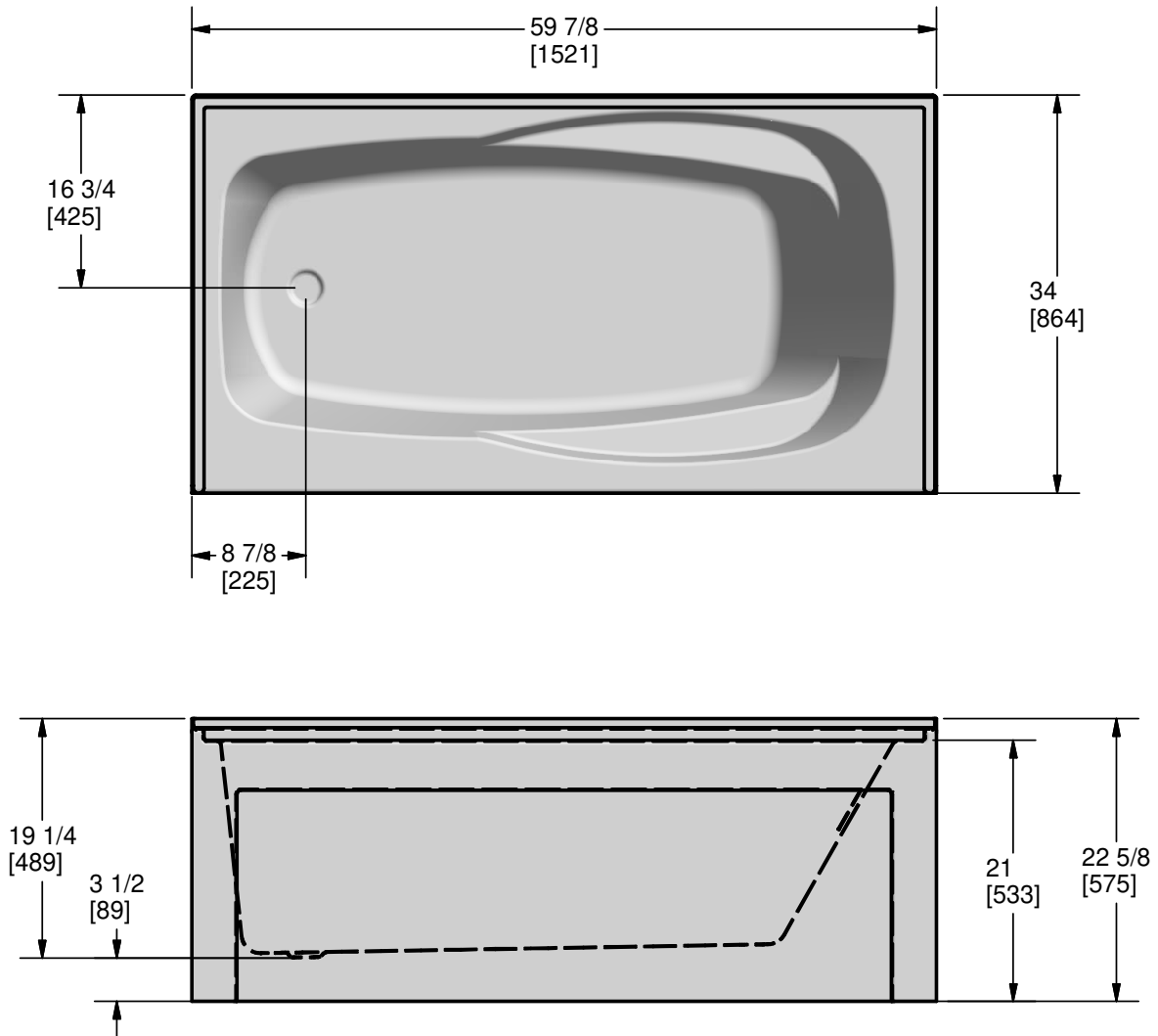
**Hytec Plumbing Products**

(Division of Kohler Canada Co.)  
4150 Spallumcheen Dr, Armstrong BC V0E 1B6  
Ph. (800) 871-8311 (250) 546-3196 Fax (250) 546-3170



**LANGLEY™ SKIRTED BATHS**  
**Model Customer Spec ACL20446L~R**

ACRYLIC



Measurement tolerances  $\pm 1/4"$  (6.3mm)

All bathing fixtures comply with the applicable Canadian Standards.

EPA TSCA Title VI Compliant Product.

For installation instructions, please refer to HYTEC.CA

This sheet approximately describes products and equipment manufactured or supplied by Hytec Plumbing Products. Because of ongoing efforts to improve both design and quality, products and equipment actually furnished may differ without prior notice.